

# DURABELLA

## DATA SHEET R.S.3.1.

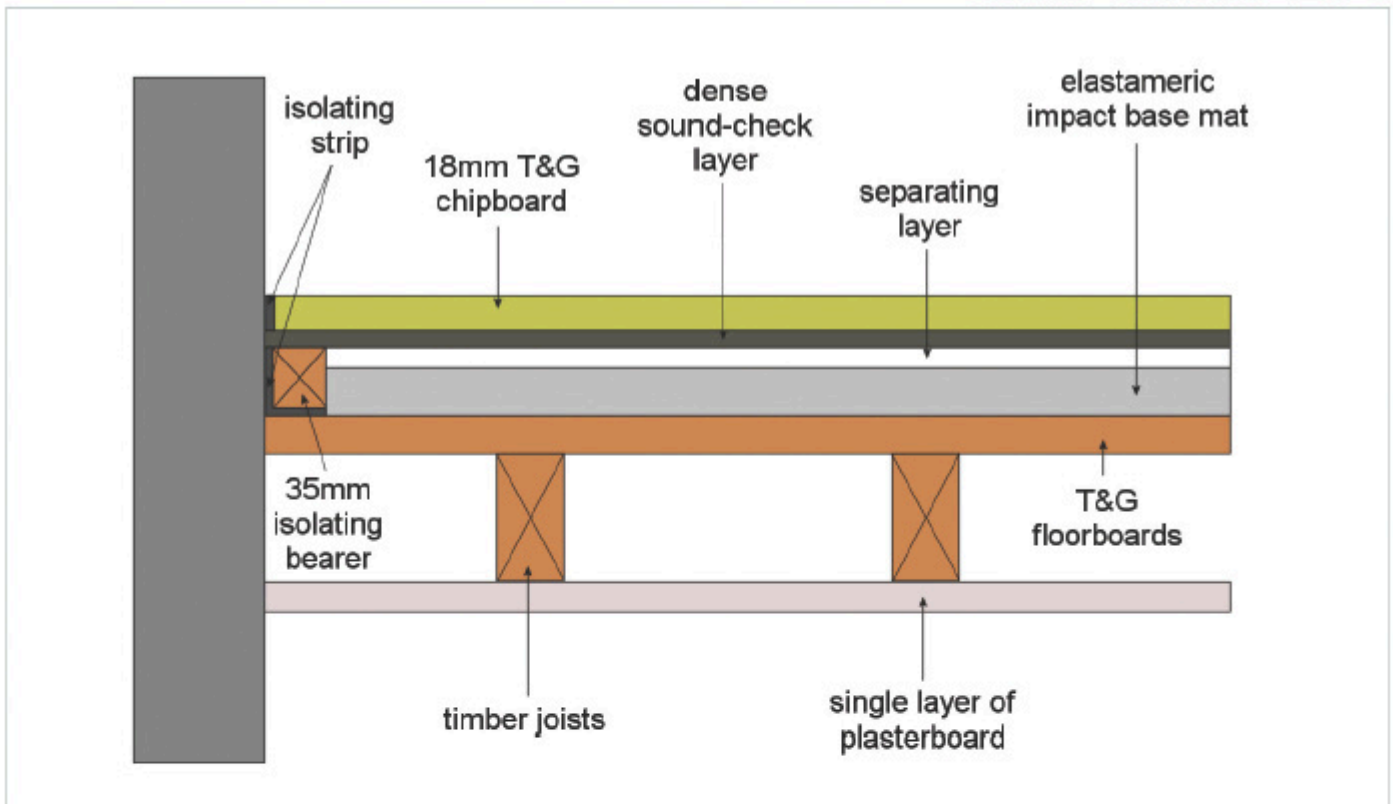
Durabella Ireland  
 23 Maple Drive  
 The Paddocks  
 Termon Abbey  
 Drogheda  
 Co. Louth

Durabella Sound-Check TF systems have been developed for use on timber joisted floors to meet the new acoustic performance standards of Building Regulations Approved Document E July 2003.

Airborne and impact sound has become an increasingly pressing problem, particularly when performance criteria can change dramatically with different floor constructions and ceiling details, or when a residential property is situated over a commercial outlet.

Sound-Check systems are an effective and versatile solution to this problem, as the system configuration can be adapted to suit specific needs. Durabella Sound-Check TF systems are ideal for refurbishment or conversion projects as they can be applied to the existing timber floors, without the need for lifting boards to install insulation.

### SOUND-CHECK TF-25/1

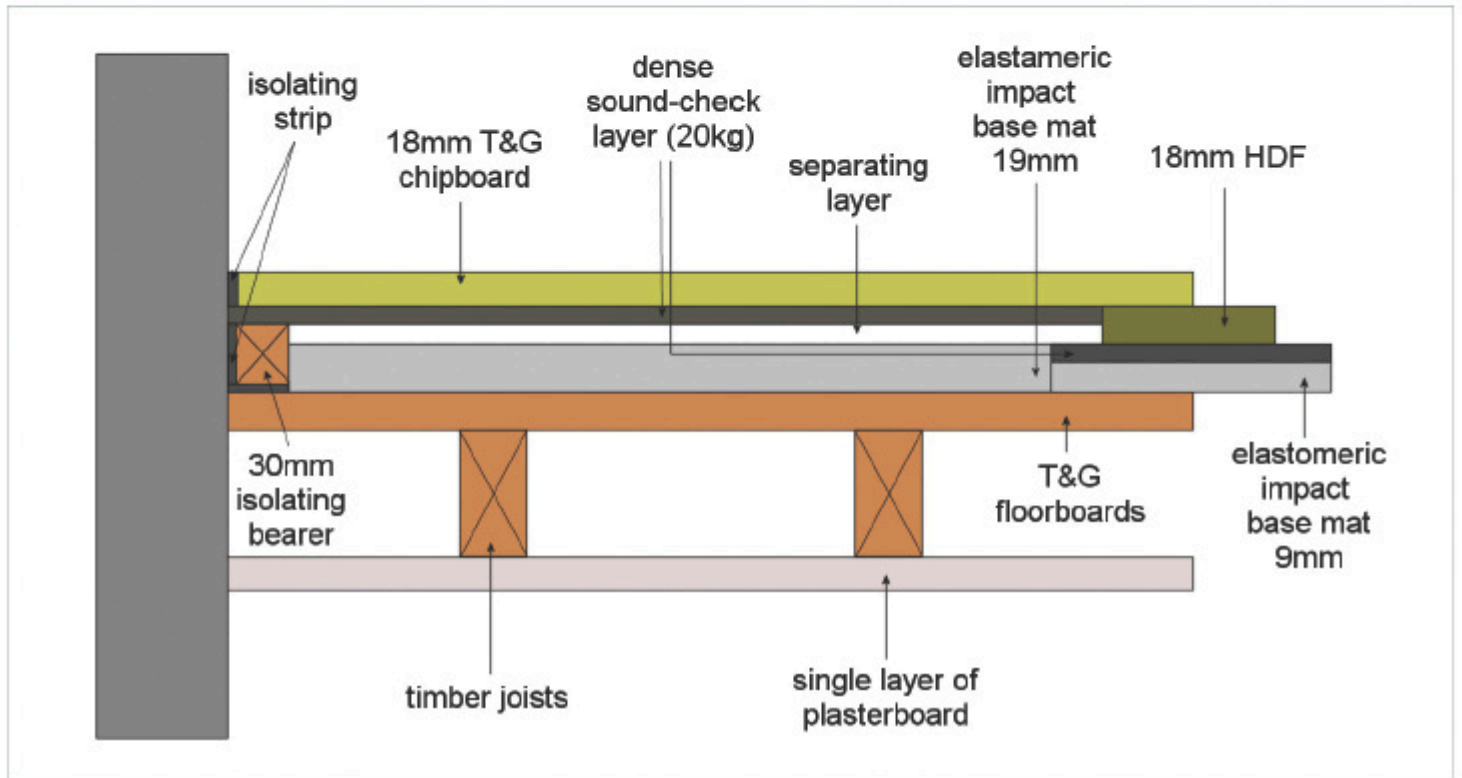


### FIELD TRIAL PERFORMANCE TEST

Bare Floor	Airborne DnTw + Ctr 35dB Impact Lnt,w 62dB	Result : FAILED
Sound-Check TF-25/1	Airborne DnTw + Ctr 47dB Impact LnT, w 50dB	Result : PASSED

THRESHOLD SUPPORT DETAIL

SOUND-CHECK TF-19/1



SOUND-CHECK TF-9/1

